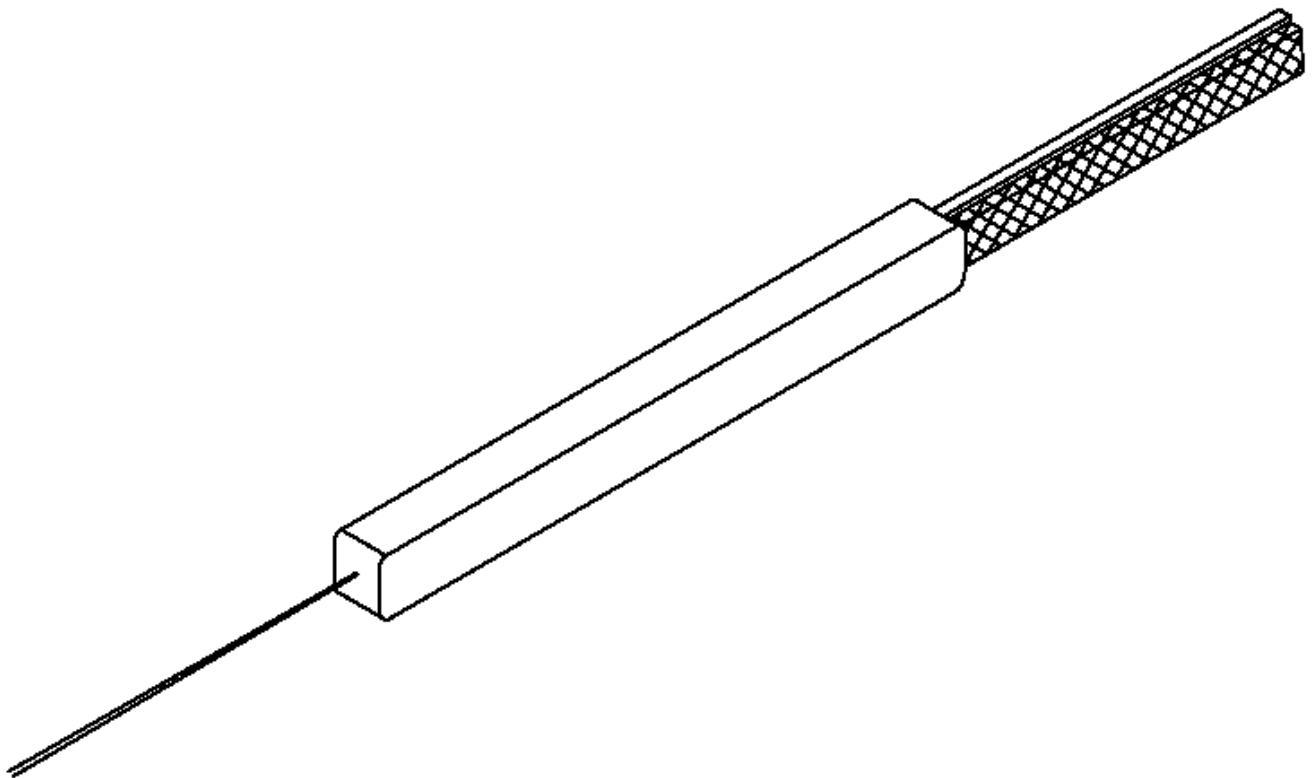


*Wooriro Splitter Module*

***WOORIRO 2 X N SPLITTER MODULE WITH CONNECTOR***  
**SPECIFICATIONS**



*Contents*

**General Description** ..... 2

**Operating Conditions** ..... 2

**Inspection** ..... 2

**Structure** ..... 3

**Dimensional Parameter with fan-out and connector** ..... 4

**Other Requirements** ..... 7

### General Description

This specification covers the requirement of splitter module.

### Operating Conditions

<i>Parameter</i>	<i>Unit</i>	<i>Specifications</i>
Operating Temperature	°C	- 40 ~ + 85
Wavelength Range	nm	1260 ~ 1630
Maximum Input Power	mW	500

Table 1. Operating Conditions

### Inspection

Inspection sheet shall be an appended to products when they are delivered.

It shall contain the following items.

(\*) Test report shall be submitted in papers and in electronic media.

<i>Parameter</i>	<i>Condition</i>	<i>Unit</i>	<i>Specifications</i>					
			<i>2 X 2</i>	<i>2 X 4</i>	<i>2 X 8</i>	<i>2 X 16</i>	<i>2 X 32</i>	<i>2 X 64</i>
Insertion loss	All ports @1.31,1.55 um	dB	≤ 4.4	≤ 7.8	≤ 11.0	≤ 14.2	≤ 17.7	≤ 22.7
Uniformity of I.L	@1.31, 1.55um	dB	≤ 0.8	≤ 1.0	≤ 1.0	≤ 1.5	≤ 1.8	≤ 3.0
PDL	All ports @1.31, 1.55um	dB	≤ 0.2	≤ 0.3	≤ 0.3	≤ 0.3	≤ 0.3	≤ 0.4
Return loss	All ports @1.31, 1.55um	dB	≥ 55					
Appearance			i.e. by indication of `passed`					

Table 2. Inspection

## Structure

### Dimensional Parameter

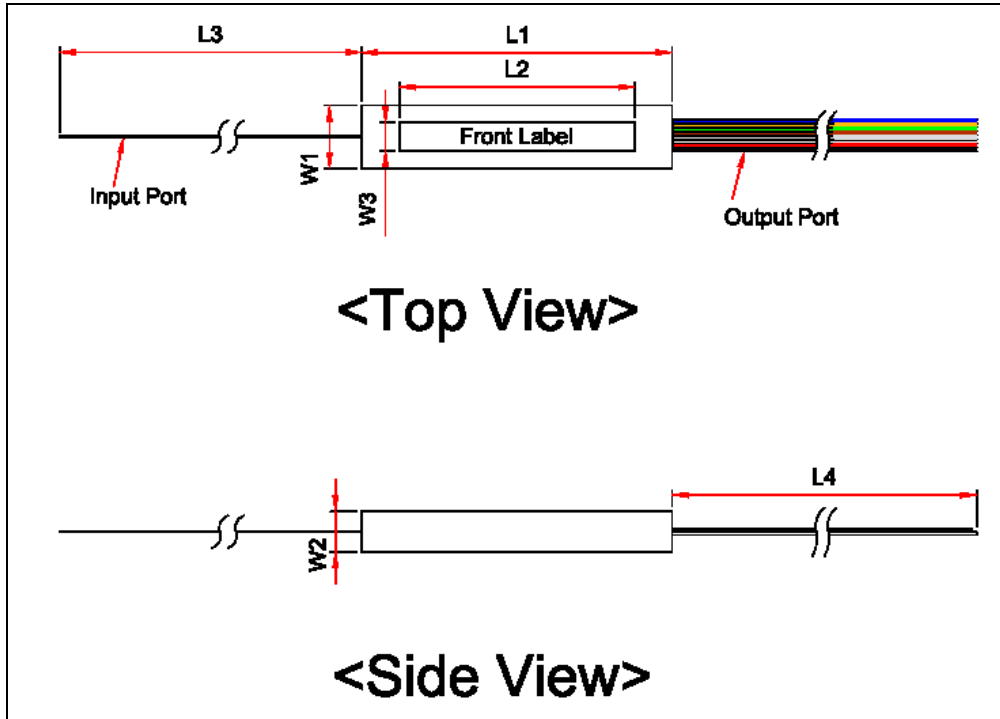


Figure 1. Dimensional Parameter

Parameter	Description	Tolerance	2x2_250	2x4_250	2x8_127	2x8_250	2x16_127	2x32_127	2x64_127
L1 (mm)	Module length	±1.0	40	40	40	55	55	55	65
L2 (mm)	Front label length	±0.5	35	35	35	44	44	44	44
L3 (m)	Input fiber length	+1.0, -0	1 or XX <sup>1)</sup>	1 or XX <sup>1)</sup>	1 or XX <sup>1)</sup>	1 or XX <sup>1)</sup>	1 or XX <sup>1)</sup>	1 or XX <sup>1)</sup>	1 or XX <sup>1)</sup>
L4 (m)	Output fiber length	+1.0, -0	1 or XX <sup>1)</sup>	1 or XX <sup>1)</sup>	1 or XX <sup>1)</sup>	1 or XX <sup>1)</sup>	1 or XX <sup>1)</sup>	1 or XX <sup>1)</sup>	1 or XX <sup>1)</sup>
W1 (mm)	Module width (Top view)	±0.1	4	4	4	7	7	7	12
W2 (mm)	Module width (Side view)	±0.1	4	4	4	4	4	4	4
W3 (mm)	Front label width	±0.5	2	2	2	5	5	5	5

1) XX = Customized

Table 3. Dimensional Parameter ( 2 x N module)

**Dimensional Parameter with fan-out and connector**

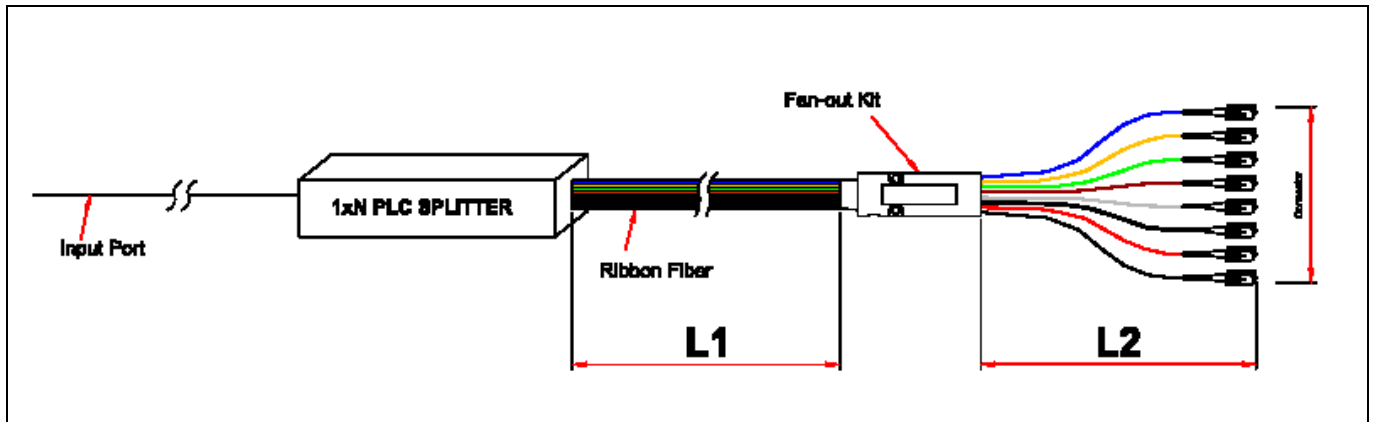


Figure 2. Dimensional Parameter

Parameter	Description	1 X N
Input (cm)	With 900um tube(including connector)	≤ 100.0
L1 (cm)	Ribbon fiber length	≤ 50.0
L2 (cm)	Including connector length	≤ 50.0
Fan out (cm)	Fan-out length	≤ 4.0
Fan out (cm)	Fan-out width	≤ 1.2
Fan out (cm)	Fan-out height	≤ 0.7
Connector type	FC/UPC, FC/APC etc....	

Table 4. Dimensional Parameter

**Input Fiber**

2 X N module

Input Fiber Color : P1 (Green), P2 (Orange)

Input Fiber : φ 250 +/- 15um SMF-28e

**Output Fiber**

Output Fiber Color: Refer to table 5.

Output Fiber:

2 x 2(250): 4-ribbon (P1 : Orange, P2 : Green)

2 x 4(250): 4-ribbon

2 x 8(127): 4-ribbon x 2ea

2 x 8(250): 8-ribbon x 1ea

2 x 16(127): 8-ribbon x 2ea

2 x 32(127): 8-ribbon x 4ea

2 x 64(127): 8-ribbon x 8ea

<i>Ch No.</i>	<i>2ch_250</i>	<i>4ch_250</i>	<i>8ch_127</i>	<i>8ch_250</i>	<i>16ch_127</i>	<i>32ch_127</i>	<i>64ch_127</i>
1, 17, 33, 49	Orange	Blue	Blue	Blue	Blue	Blue	Blue
2, 18, 34, 50	Green	Orange	Blue	Orange	Blue	Blue	Blue
3, 19, 35, 51	-	Green	Orange	Green	Orange	Orange	Orange
4, 20, 36, 52	-	Brown	Orange	Brown	Orange	Orange	Orange
5, 21, 37, 53	-	-	Green	Slate	Green	Green	Green
6, 22, 38, 54	-	-	Green	White	Green	Green	Green
7, 23, 39, 55	-	-	Brown	Red	Brown	Brown	Brown
8, 24, 40, 56	-	-	Brown	Black	Brown	Brown	Brown
9, 25, 41, 57	-	-	-	-	Slate	Slate	Slate
10, 26, 42, 58	-	-	-	-	Slate	Slate	Slate
11, 27, 43, 59	-	-	-	-	White	White	White
12, 28, 44, 60	-	-	-	-	White	White	White
13, 29, 45, 61	-	-	-	-	Red	Red	Red
14, 30, 46, 62	-	-	-	-	Red	Red	Red
15, 31, 47, 63	-	-	-	-	Black	Black	Black
16, 32, 48, 64	-	-	-	-	Black	Black	Black

Table 5. Output fiber color

**Other Requirements**

- 1. Splitter module should be complied with Side pull and fiber retention test of GR1209 condition.
- 2. Splitter module should be used bend free fiber(R15).
- 3. Splitter module should be complied with RoHS standard.

**Serial number**

Serial product number shall be named in the following format.

Serial product number: Example; SM08A – 204 - 0000

\* SM : Product Name [Splitter Module]

\* 08 : Manufacturing Year [2008]

\* A : Month

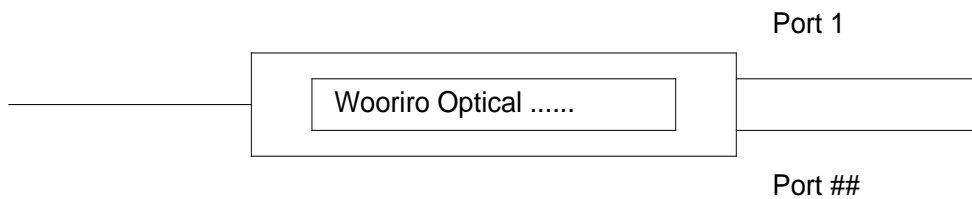
\* 204 : Product type [2x2(250): 202, 2x4(250): 204, 2x8(127): 207, 2x8(250): 208, 2x16(127): 216, 2x32(127): 232, 2x64(127): 264]

\* 0000 : Sequential No.

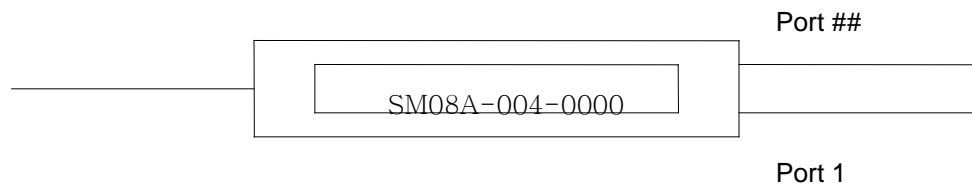
**Label**

Company label and S/N label shall be attached with the product in the following manner.

Front side: Company label



Back side: S/N label



**##: Number of channel**

**Packaging**

Products shall be packed into a suitable case in order to prevent damage during transportation and storage as long as A`s company with not demand other requirement.

**Others**

When the problem is caused concerning this specification sheet, both companies will confer in sincerity for the solution.