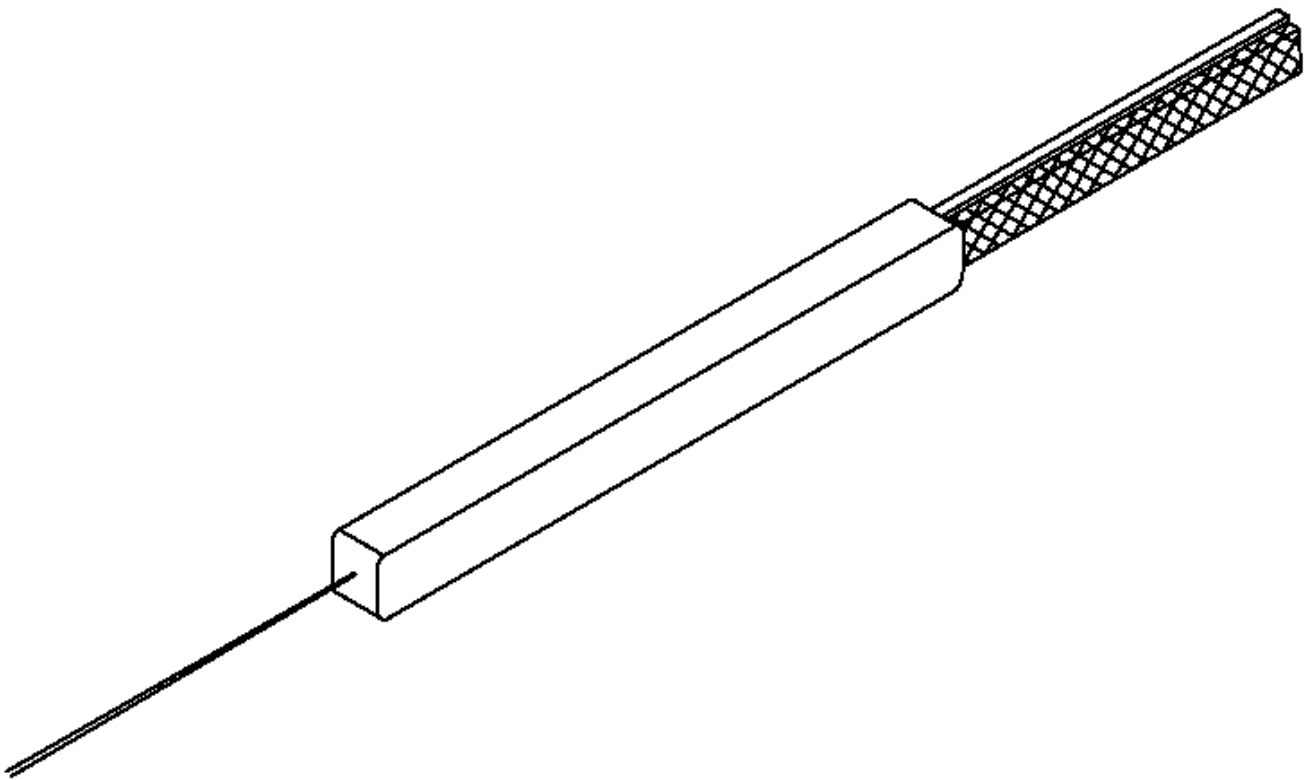


Wooriro Splitter Module

***WOORIRO 2 X N SPLITTER MODULE
SPECIFICATIONS***



Contents

General Description 2

Operating Conditions 2

Inspection 2

Structure 3

Other Requirements 6

General Description

This specification covers the requirement of splitter module.

Operating Conditions

<i>Parameter</i>	<i>Unit</i>	<i>Specifications</i>
Operating Temperature	°C	- 40 ~ + 85
Wavelength Range	nm	1260 ~ 1650
Maximum Input Power	mW	500

Table 1. Operating Conditions

Inspection

Inspection sheet shall be an appended to products when they are delivered.

It shall contain the following items.

(*) Test report shall be submitted in papers and in electronic media.

<i>Parameter</i>	<i>Condition</i>	<i>Unit</i>	<i>Specifications</i>					
			2 X 2	2 X 4	2 X 8	2 X 16	2 X 32	2 X 64
Insertion loss	All ports @1.31,1.55 um	dB	≤ 4.2	≤ 7.6	≤ 10.8	≤ 14.0	≤ 17.5	≤ 22.5
Uniformity of I.L	@1.31, 1.55um	dB	≤ 0.8	≤ 1.0	≤ 1.0	≤ 1.5	≤ 1.8	≤ 3.0
PDL	All ports @1.31, 1.55um	dB	≤ 0.2	≤ 0.3	≤ 0.3	≤ 0.3	≤ 0.3	≤ 0.4
Return loss	All ports @1.31, 1.55um	dB	≥ 55					
Appearance			i.e. by indication of 'passed'					

Table 2. Inspection

Structure

Dimensional Parameter

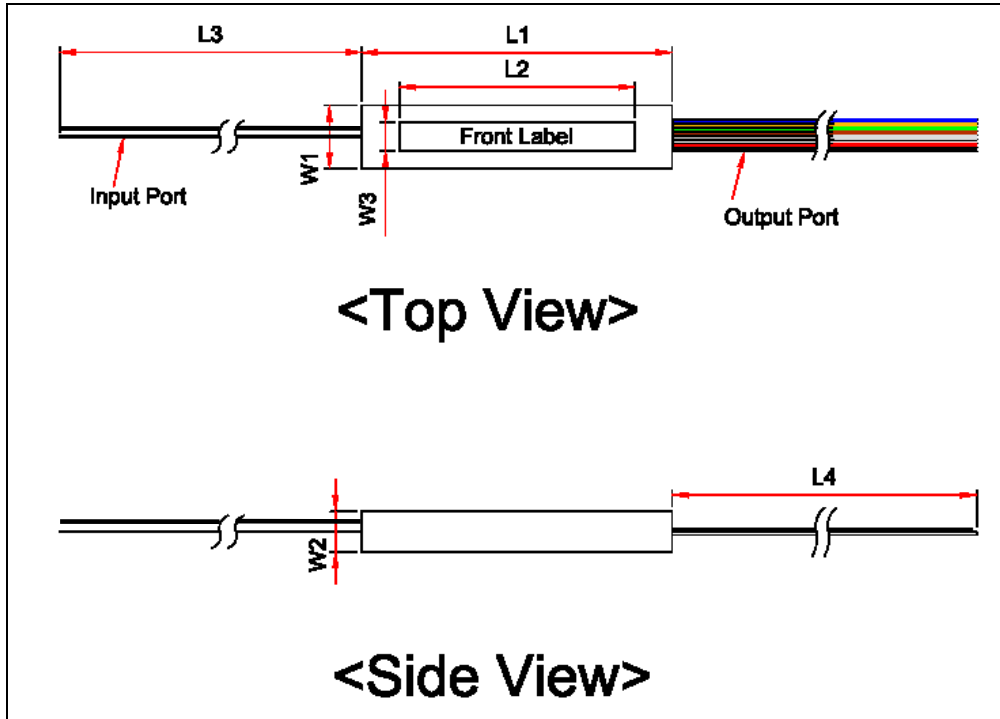


Figure 1. Dimensional Parameter

Parameter	Description	Tolerance	2x2_250	2x4_250	2x8_127	2x8_250	2x16_127	2x32_127	2x64_127
L1 (mm)	Module length	±1.0	40	40	50	50	55	55	65
L2 (mm)	Front label length	±0.5	35	35	35	44	44	44	44
L3 (m)	Input fiber length	+1.0, -0	1 or XX ¹⁾	1 or XX ¹⁾	1 or XX ¹⁾	1 or XX ¹⁾	1 or XX ¹⁾	1 or XX ¹⁾	1 or XX ¹⁾
L4 (m)	Output fiber length	+1.0, -0	1 or XX ¹⁾	1 or XX ¹⁾	1 or XX ¹⁾	1 or XX ¹⁾	1 or XX ¹⁾	1 or XX ¹⁾	1 or XX ¹⁾
W1 (mm)	Module width (Top view)	±0.1	4	4	4	4	7	7	12
W2 (mm)	Module width (Side view)	±0.1	4	4	4	4	4	4	4
W3 (mm)	Front label width	±0.5	2	2	2	5	5	5	5

1) XX = Customized

Table 3. Dimensional Parameter (2 x N module)

Input Fiber

2 X N module

Input Fiber Color : P1 (Green), P2 (Orange)

Input Fiber : ϕ 250 +/- 15um SMF-28e

Output Fiber

Output Fiber Color: Refer to table 4.

Output Fiber:

2 x 2(250): ϕ 250 +/- 15um SMF-28e (P1 : Orange, P2 : Green)

2 x 4(250): 4-ribbon

2 x 8(127): 4-ribbon x 2ea

2 x 8(250): 8-ribbon x 1ea

2 x 16(127): 8-ribbon x 2ea

2 x 32(127): 8-ribbon x 4ea

2 x 64(127): 8-ribbon x 8ea

<i>Ch No.</i>	<i>2ch_250</i>	<i>4ch_250</i>	<i>8ch_127</i>	<i>8ch_250</i>	<i>16ch_127</i>	<i>32ch_127</i>	<i>64ch_127</i>
1, 17, 33, 49	Orange	Blue	Blue	Blue	Blue	Blue	Blue
2, 18, 34, 50	Green	Orange	Blue	Orange	Blue	Blue	Blue
3, 19, 35, 51	-	Green	Orange	Green	Orange	Orange	Orange
4, 20, 36, 52	-	Brown	Orange	Brown	Orange	Orange	Orange
5, 21, 37, 53	-	-	Green	Slate	Green	Green	Green
6, 22, 38, 54	-	-	Green	White	Green	Green	Green
7, 23, 39, 55	-	-	Brown	Red	Brown	Brown	Brown
8, 24, 40, 56	-	-	Brown	Black	Brown	Brown	Brown
9, 25, 41, 57	-	-	-	-	Slate	Slate	Slate
10, 26, 42, 58	-	-	-	-	Slate	Slate	Slate
11, 27, 43, 59	-	-	-	-	White	White	White
12, 28, 44, 60	-	-	-	-	White	White	White
13, 29, 45, 61	-	-	-	-	Red	Red	Red
14, 30, 46, 62	-	-	-	-	Red	Red	Red
15, 31, 47, 63	-	-	-	-	Black	Black	Black
16, 32, 48, 64	-	-	-	-	Black	Black	Black

Table 4. Output fiber color

Other Requirements

- 1. Splitter module should be complied with Side pull and fiber retention test of GR1209 condition.
- 2. Splitter module should be used bend free fiber(R15).
- 3. Splitter module should be complied with RoHS standard.

Serial number

Serial product number shall be named in the following format.

Serial product number: Example; SM08A – 204 - 0000

* SM : Product Name [Splitter Module]

* 08 : Manufacturing Year [2008]

* A : Month

* 204 : Product type [2x2(250): 202, 2x4(250): 204, 2x8(127): 207,2x8(250): 208, 2x16(127): 216, 2x32(127): 232, 2x64(127): 264]

* 0000 : Sequential No.

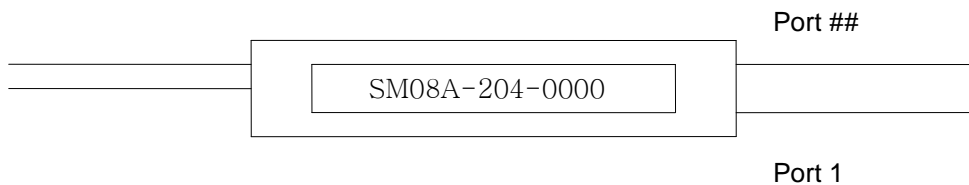
Label

Company label and S/N label shall be attached with the product in the following manner.

Front side: Company label



Back side: S/N label



##: Number of channel

Packaging

Products shall be packed into a suitable case in order to prevent damage during transportation and storage as long as A`s company with not demand other requirement.

Others

When the problem is caused concerning this specification sheet, both companies will confer in sincerity for the solution.