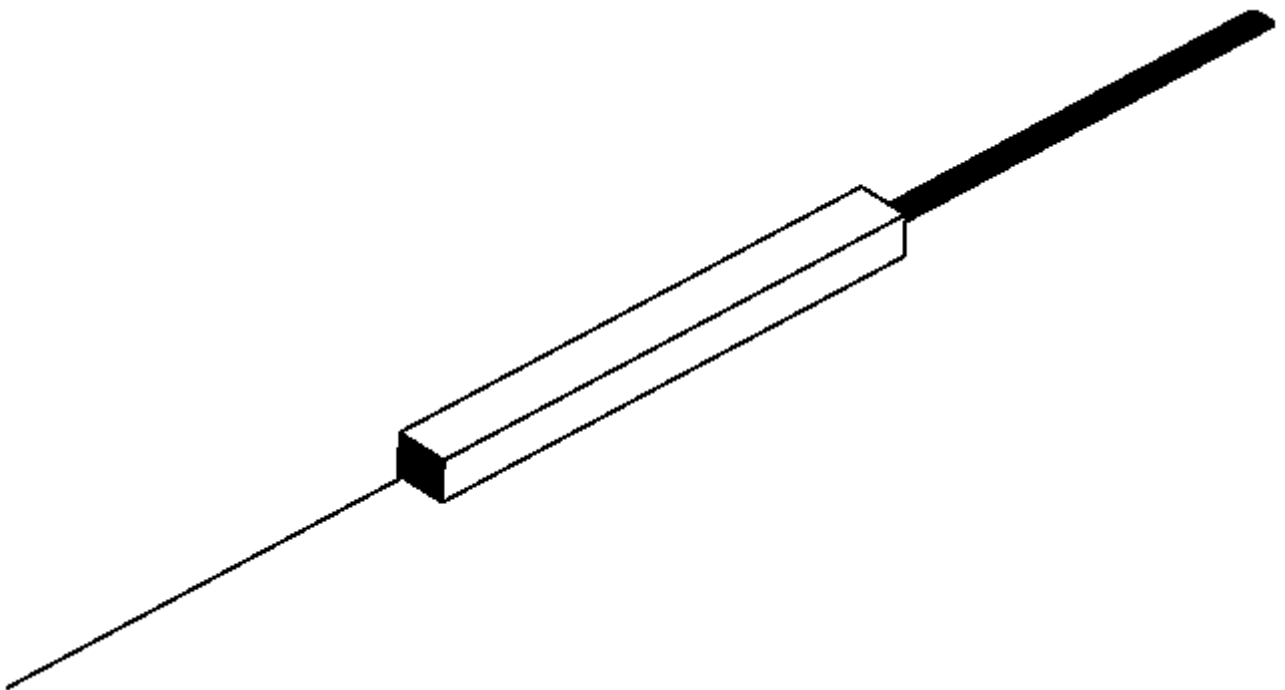


*Wooriro Splitter Module*

*WOORIRO 1XN SPLITTER MODULE*  
SPECIFICATIONS



*Contents*

**General Description** ..... 2

**Operating Conditions** ..... 2

**Inspection** ..... 2

**Structure** ..... 3

**Other Requirements** ..... 8

### General Description

This specification covers the requirement of splitter module.

### Operating Conditions

<i>Parameter</i>	<i>Unit</i>	<i>Specifications</i>
Operating Temperature	°C	- 40 ~ + 85
Wavelength Range	nm	1260 ~ 1650
Maximum Input Power	mW	500

Table 1. Operating Conditions

### Inspection

Inspection sheet shall be an appended to products when they are delivered.

It shall contain the following items.

(\* Test report shall be submitted in papers and in electronic media.

<i>Parameter</i>	<i>Condition</i>	<i>Unit</i>	<i>Specifications</i>										
			1 x 2	1 X 3	1 X 4	1 X 6	1 X 8	1 x 12	1 X 16	1 X 24	1 x 32	1 x 64	1 x 128
Insertion loss	All ports @ 1.31, 1.55 um	dB	≤ 3.8	≤ 6.6	≤ 7.2	≤ 10.0	≤ 10.7	≤ 13.0	≤ 13.9	≤ 16.2	≤ 17.2	≤ 22.0	≤ 25.0
Uniformity of I.L	@ 1.31, 1.55um	dB	≤ 0.6	≤ 0.6	≤ 0.8	≤ 0.8	≤ 1.0	≤ 1.0	≤ 1.4	≤ 1.5	≤ 1.6	≤ 2.5	≤ 2.5
PDL	All ports @ 1.31, 1.55um	dB	≤ 0.2	≤ 0.2	≤ 0.3	≤ 0.3	≤ 0.3	≤ 0.3	≤ 0.3	≤ 0.3	≤ 0.3	≤ 0.3	≤ 0.4
Return loss	All ports @ 1.31, 1.55um	dB	≥ 55										
Appearance			i.e. by indication of `passed`										

Table 2. Inspection

## Structure

### Dimensional Parameter

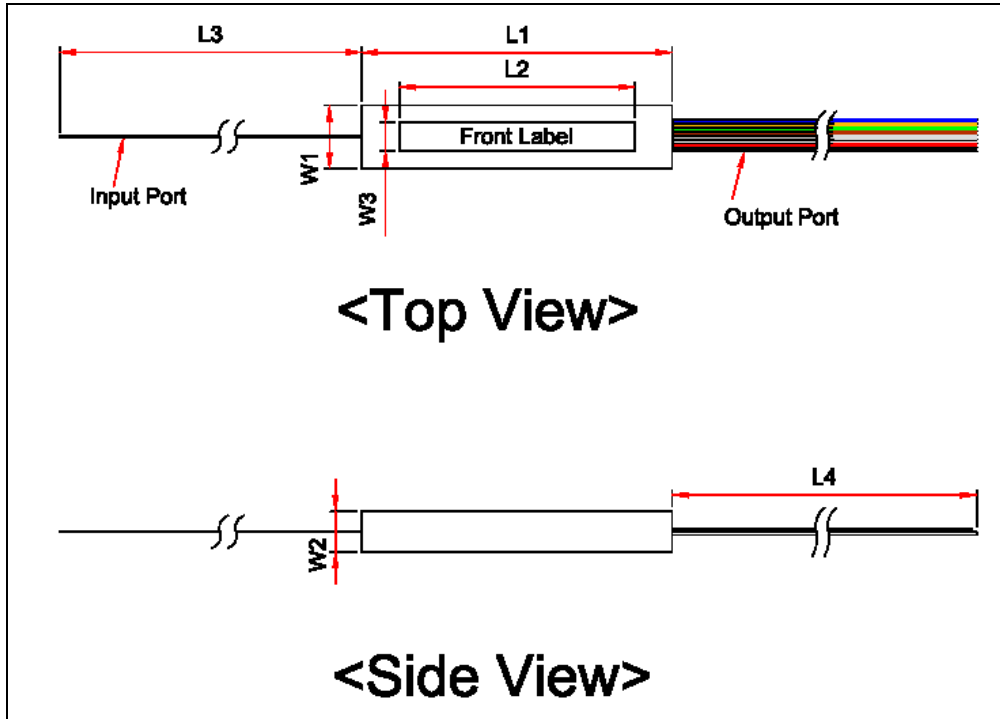


Figure 1. Dimensional Parameter

Parameter	Description	Tolerance	1x2_250	1x3_250	1x4_250	1x6_127	1x6_250	1x8_127
L1 (mm)	Module length	±1.0	40	40	40	40	40	40
L2 (mm)	Front label length	±0.5	35	35	35	35	35	35
L3 (m)	Input fiber length	+1.0, -0	1 or XX <sup>1)</sup>	1 or XX <sup>1)</sup>	1 or XX <sup>1)</sup>	1 or XX <sup>1)</sup>	1 or XX <sup>1)</sup>	1 or XX <sup>1)</sup>
L4 (m)	Output fiber length	+1.0, -0	1 or XX <sup>1)</sup>	1 or XX <sup>1)</sup>	1 or XX <sup>1)</sup>	1 or XX <sup>1)</sup>	1 or XX <sup>1)</sup>	1 or XX <sup>1)</sup>
W1 (mm)	Module width (Top view)	±0.1	4	4	4	4	4	4
W2 (mm)	Module width (Side view)	±0.1	4	4	4	4	4	4
W3 (mm)	Front label width	±0.5	2	2	2	2	2	2

1) XX = Customized

Table 3. Dimensional Parameter (1 x N module)

Parameter	Description	Tolerance	1x8_250	1x12_127	1x16_127	1x24_127	1x32_127	1x64_127	1x128_127
L1 (mm)	Module length	±1.0	40	40	40	55	55	55	80
L2 (mm)	Front label length	±0.5	35	35	35	44	44	44	44
L3 (m)	Input fiber length	+1.0, -0	1 or XX <sup>1)</sup>	1 or XX <sup>1)</sup>	1 or XX <sup>1)</sup>	1 or XX <sup>1)</sup>	1 or XX <sup>1)</sup>	1 or XX <sup>1)</sup>	1 or XX <sup>1)</sup>
L4 (m)	Output fiber length	+1.0, -0	1 or XX <sup>1)</sup>	1 or XX <sup>1)</sup>	1 or XX <sup>1)</sup>	1 or XX <sup>1)</sup>	1 or XX <sup>1)</sup>	1 or XX <sup>1)</sup>	1 or XX <sup>1)</sup>
W1 (mm)	Module width (Top view)	±0.1	4	4	4	7	7	12	23
W2 (mm)	Module width (Side view)	±0.1	4	4	4	4	4	4	4.5
W3 (mm)	Front label width	±0.5	2	2	2	5	5	5	5

1) XX = Customized

Table 4. Dimensional Parameter ( 1 x N module)

**Input Fiber**

1) 1 X N module

Input Fiber Color: White

Input Fiber: φ 250 +/- 15um SMF

**Output Fiber**

Output Fiber Color: Refer to table 5 & 6.

Output Fiber:

1 x 2(250) : 4-ribbon

1 x 3(250) : 4-ribbon

1 x 4(250) : 4-ribbon

1 x 6(127) : 4-ribbon x 2ea

1 x 6(250) : 8-ribbon

1 x 8(127): 4-ribbon x 2ea

1 x 8(250): 8-ribbon

1 x 12(127): 8-ribbon x 2ea

1 x 16(127): 8-ribbon x 2ea

1 x 24(127): 12-ribbon x 2ea

1 x 32(127): 8-ribbon x 4ea

1 x 64(127) : 8-ribbon x 8ea

1 x128(127) : 8-ribbon x 16ea

<i>Ch No.</i>	<i>2ch_250</i>	<i>3ch_250</i>	<i>4ch_250</i>	<i>6ch_127</i>	<i>6ch_250</i>	<i>8ch_127</i>	<i>8ch_250</i>
1	Blue	Blue	Blue	Blue	Blue	Blue	Blue
2	Orange	Orange	Orange	Blue	Orange	Blue	Orange
3	-	Green	Green	Orange	Green	Orange	Green
4	-	-	Brown	Orange	Brown	Orange	Brown
5	-	-	-	Green	Slate	Green	Slate
6	-	-	-	Green	White	Green	White
7	-	-	-	-	-	Brown	Red
8	-	-	-	-	-	Brown	Black

Table 5. Output fiber color

<i>Ch No.</i>	<i>12ch_127</i>	<i>16ch_127</i>	<i>32ch_127</i>	<i>64ch_127</i>	<i>Ch No.</i>	<i>24ch_127</i>
1, 17, 33, 49	Blue	Blue	Blue	Blue	1, 2	Blue
2, 18, 34, 50	Blue	Blue	Blue	Blue	3, 4	Orange
3, 19, 35, 51	Orange	Orange	Orange	Orange	5, 6	Green
4, 20, 36, 52	Orange	Orange	Orange	Orange	7, 8	Brown
5, 21, 37, 53	Green	Green	Green	Green	9, 10	Slate
6, 22, 38, 54	Green	Green	Green	Green	11, 12	White
7, 23, 39, 55	Brown	Brown	Brown	Brown	13, 14	Red
8, 24, 40, 56	Brown	Brown	Brown	Brown	15, 16	Black
9, 25, 41, 57	Slate	Slate	Slate	Slate	17, 18	Yellow
10, 26, 42, 58	Slate	Slate	Slate	Slate	19, 20	Violet
11, 27, 43, 59	White	White	White	White	21, 22	Rose
12, 28, 44, 60	White	White	White	White	23, 24	Aqua
13, 29, 45, 61	-	Red	Red	Red	-	-
14, 30, 46, 62	-	Red	Red	Red	-	-
15, 31, 47, 63	-	Black	Black	Black	-	-
16, 32, 48, 64	-	Black	Black	Black	-	-

Table 6. Output fiber color

<i>Ch No.</i>	<i>128ch_127</i>
1, 17, 33, 49, 65, 81, 97, 113	Blue
2, 18, 34, 50, 66, 82, 98, 114	Blue
3, 19, 35, 51, 67, 83, 99, 115	Orange
4, 20, 36, 52, 68, 84, 100, 116	Orange
5, 21, 37, 53, 69, 85, 101, 117	Green
6, 22, 38, 54, 70, 86, 102, 118	Green
7, 23, 39, 55, 71, 87, 103, 119	Brown
8, 24, 40, 56, 72, 88, 104, 120	Brown
9, 25, 41, 57, 73, 89, 105, 121	Slate
10, 26, 42, 58, 74, 90, 106, 122	Slate
11, 27, 43, 59, 75, 91, 107, 123	White
12, 28, 44, 60, 76, 92, 108, 124	White
13, 29, 45, 61, 77, 93, 109, 125	Red
14, 30, 46, 62, 78, 94, 110, 126	Red
15, 31, 47, 63, 79, 95, 111, 127	Black
16, 32, 48, 64, 80, 96, 112, 128	Black

Table 7. Output fiber color



**Other Requirements**

- 1. Splitter module should be complied with Side pull and fiber retention test of GR1209 condition.
- 2. Splitter module should be used bend free fiber(R15).
- 3. Splitter module should be complied with RoHS standard.

**Serial number**

Serial product number shall be named in the following format.

Serial product number: Example; SM07A – 004 – 0000

\* SM : Product Name [Splitter Module]

\* 08 : Manufacturing Year [2008]

\* A : Month

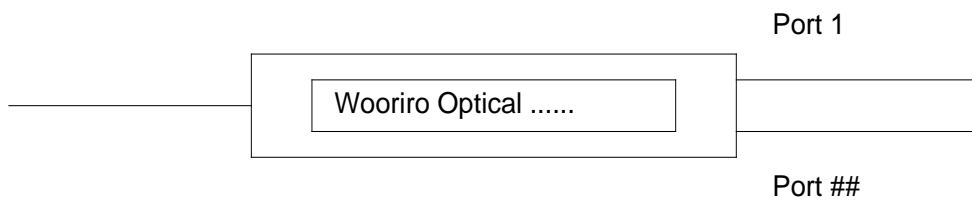
\* 004 : Product type [1x2(250): 002, 1x3(250): 003, 1x4(250): 004, 1x6(127): 005, 1x6(250): 006, 1x8(127): 007,  
 1x8(250): 008, 1x12(127): 012, 1x16(127): 016, 1x24(127): 024, 1x32(127): 032, 1x64(127): 064  
 1x128(127): 128]

\* 0000 : Sequential No.

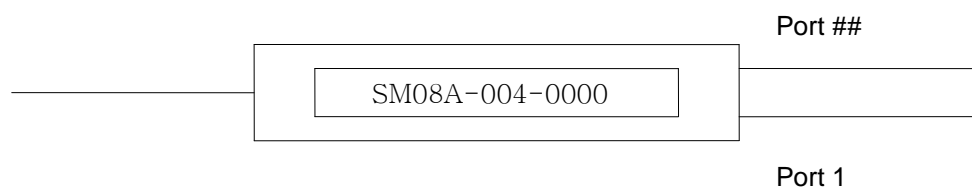
**Label**

Company label and S/N label shall be attached with the product in the following manner.

Front side: Company label



Back side: S/N label



**##: Number of channel**

**Packaging**

Products shall be packed into a suitable case in order to prevent damage during transportation and storage as long as A's company with not demand other requirement.

**Others**

When the problem is caused concerning this specification sheet, both companies will confer in sincerity for the solution.