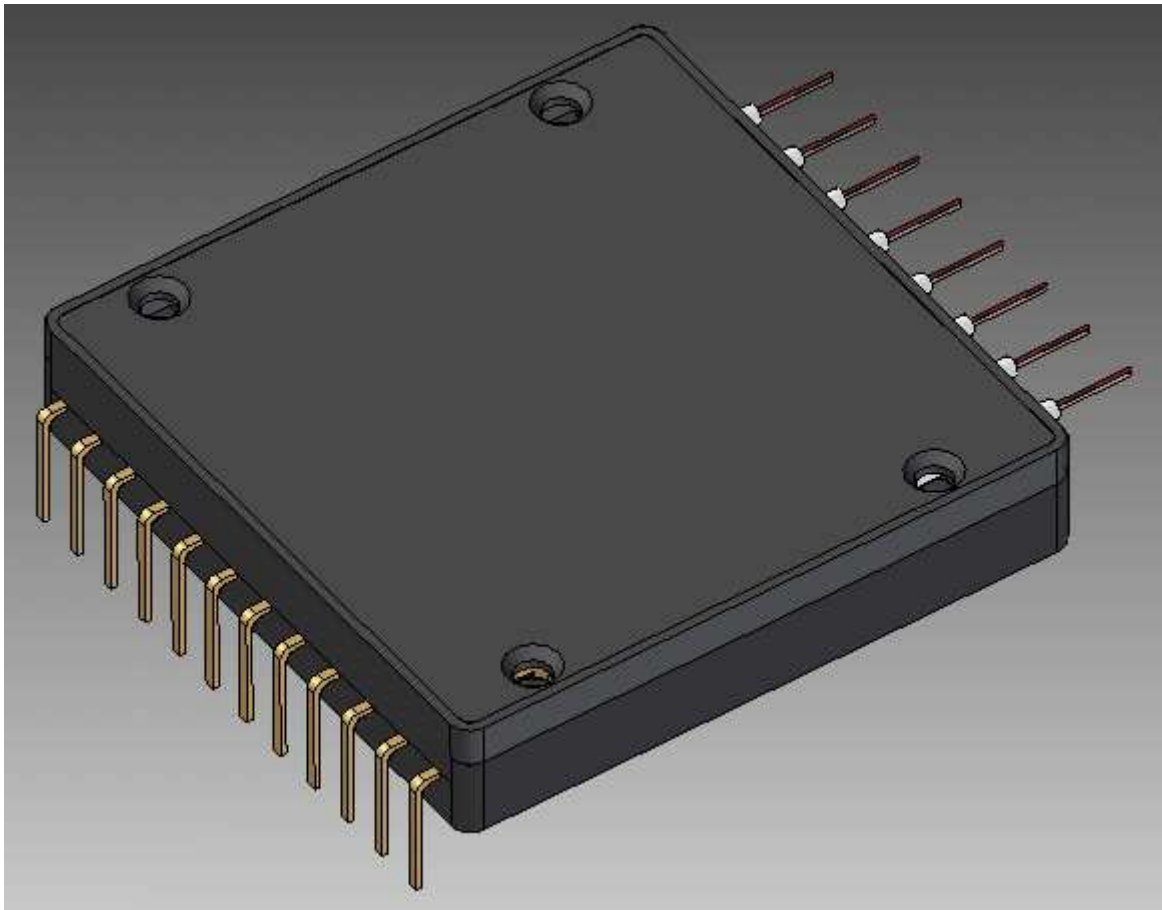


Wooriro Photo Diode

WOORIRO MINI PD ARRAY
SPECIFICATIONS



Contents

General Description 2

Absolute Maximum Ratings 2

Electro-Optical Characteristics 2

Mechanical Dimension & Pin Layout 4

Other Requirements 5

General Description

PD Array integrates multi mini TO can photodiodes. It is possible for a small single device to monitor power of optical signal in multi channels. The special technology used in the integration guarantees good optical characteristics and low deviation over a wide operating temperature range(0 °C~+75 °C)

Features

- Wide Dynamic Range (1310nm/ C&L-Band)
- 1/8 Channel
- Compact Design
- Superior Response
- Low Dark Current
- High Reliability (GR-468-Core)

Applications

- DWDM Channel Monitoring
- Protection Module
- Optical Amplifier (EDFA, Raman)
- Variable Optical Attenuator (VOA)
- V-Mux
- Multi Channel OADM

Specifications

Parameter	Symbol	Test Condition	Min.	Typ.	Max.	Unit
Wavelength Range	λ		1260		1610	nm
Polarization Dependent Loss*	PDL	-			0.05	dB
Return Loss*	RL	-	45			dB
Responsivity	R	@1310nm		0.8		A/W
		@1550nm		0.9		
Input Power	P_{in}	10%			30	mW
Bandwidth	f_{3dB}	RL=50w, Pin=10dB		600		MHz
Dark Current	I_d	@25°C, -5V Bias			1	nA
		@75°C, -5V Bias			5	nA
Capacitance	C	f=1MHz		6		pF
Reverse Voltage	V_R	-			20	V
Forward Current	I_F	-			10	mA
Operating Temp	T_C	-	0		75	°C
Fiber Length		Standard Length		1.0+0.3		m
Size		1Ch		15 x 4		mm
		8Ch		32 x 32		

* Measured without connector

Electro-Optical Characteristics

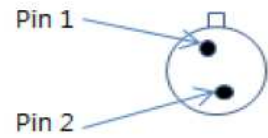
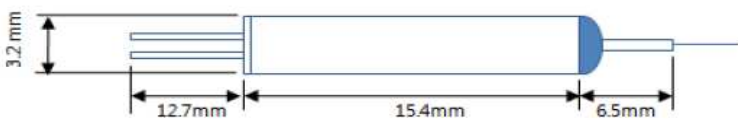
Inspection sheet shall be appended to products when they are delivered. Test report shall be submitted in papers and in electronic media. It shall contain the major in following items.

Mechanical Dimension & Pin Layout

Mechanical Dimension

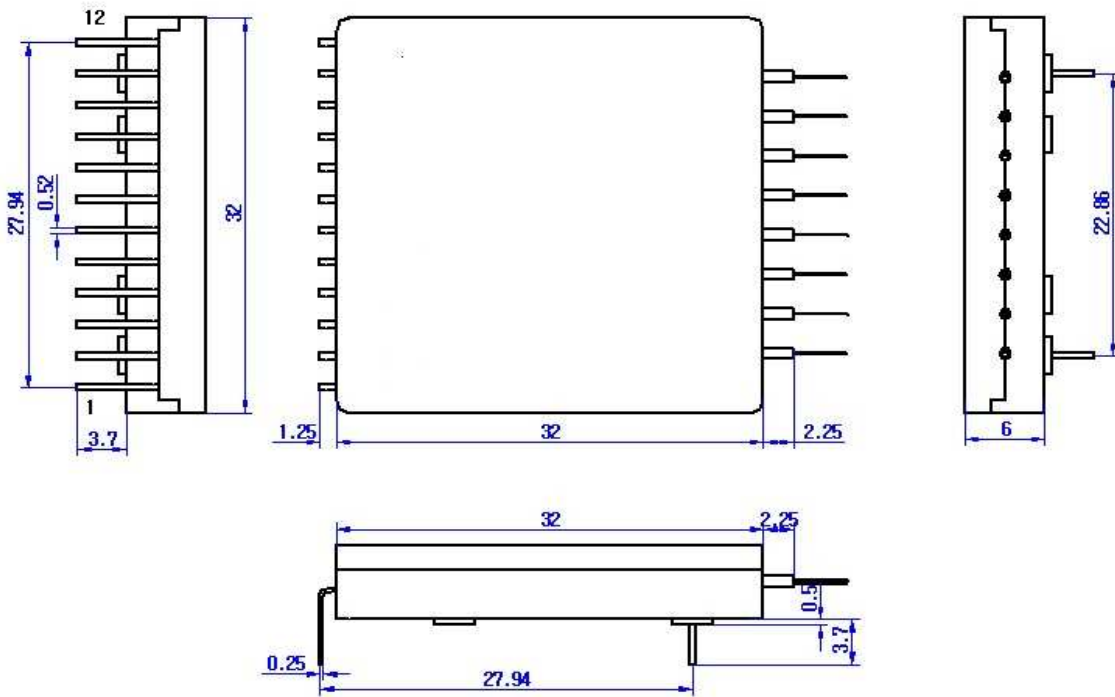
(Unit: mm)

- Single Channel



Pin1 = cathode / Pin2=anode

- Multi Channel



Pin Configuration

Pin	Description	Pin	Description	Pin	Description	Pin	Description
1	Anode(Common)*	4	Anode(Common)	7	Cathode5	10	Cathode7
2	Cathode1	5	Cathode3	8	Anode(Common)	11	Anode(Common)
3	Cathode2	6	Cathode4	9	Cathode6	12	Cathode8

*In the case of common anode (CA)

Other Requirements

Precautions for use

This device is susceptible to damage as a result of ESD(electrostatic discharge). Use of ground straps, anti static mats, and other standard ESD protective equipment is recommended when handling or testing an InGaAs PIN/APD or any other junction photodiode.

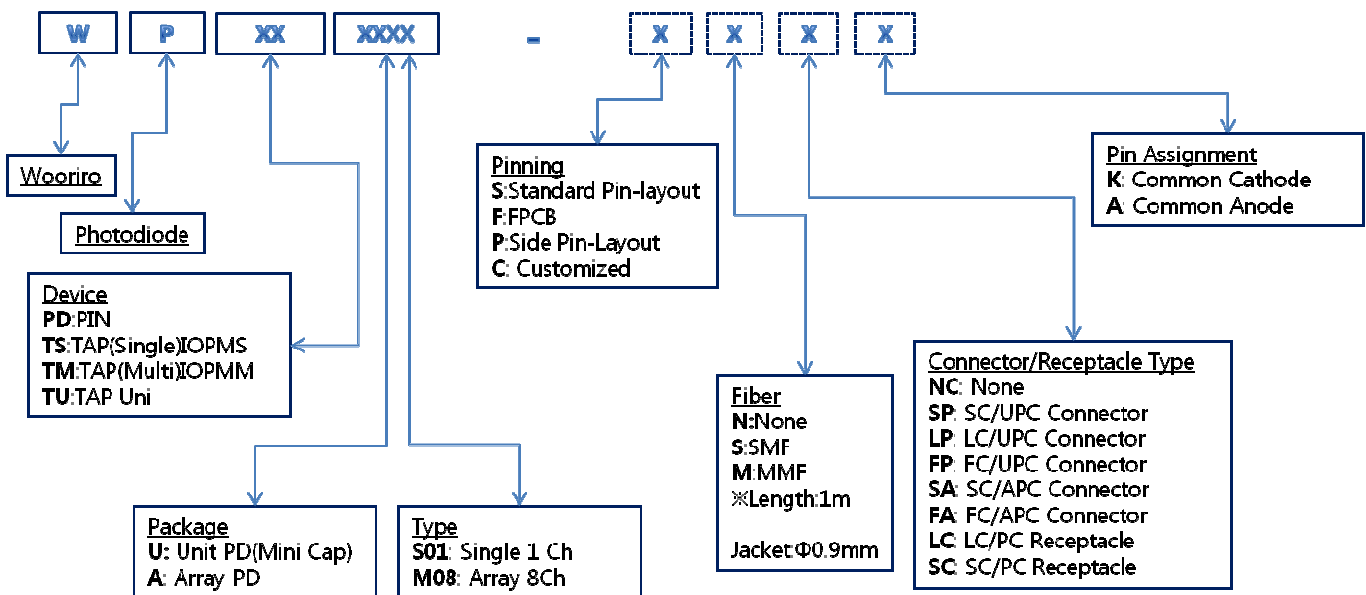
Packaging

Products shall be packed into a suitable case in order to prevent damage during transportation and storage as long as A`s company with not demand other requirement.

Others

When the problem is caused concerning this specification sheet, both companies will confer in sincerity for the solution.

Ordering Information



Ex) WPPDAM08-SSNCN (8Ch Mini PD Array)

WPPDAM08-SSSPN (8Ch Mini PD Array with SC/UPC Connector)