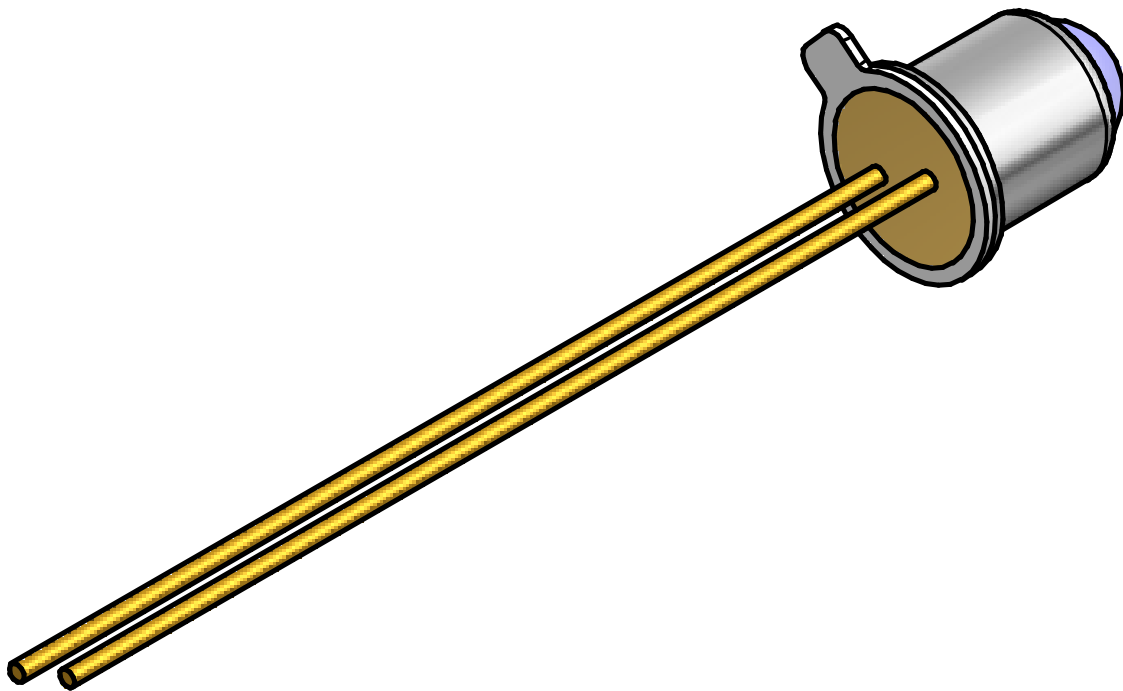


WPPDMD27SNNCN SPECIFICATIONS
(MINI TO CAN with 274um active Standard PIN)



Contents

General Description 3

Electro-Optical Characteristics 4

Mechanical Dimension & Pin Layout 5

Other Requirements 6

General Description

Mini Can PD Module has a basic optical power monitoring function that is high and linear responsivity over wide input power range. Also because of its miniature size, it is good for high dense multiple PD assembly. The cap diameter of Mini Can PD is only 1.96mm and its the height is 3.5mm. The cap is electrically isolated from the two leads, which prevents electrical shortage when assembled as an array.

Features

- Miniature Size
- Electrical isolation between two leads
- High Responsivity
- Linear Responsivity
- Low Dark Current
- High Reliability(GR-468-Core)

Applications

- Mini Tap PD module
- Optical Power Monitoring Array Module
- DWDM Channel Monitoring
- Optical Amplifier (EDFA, Raman)

Absolute Maximum Ratings (T_c= 25°C)

Item	Symbol	Value	Unit
Reverse Voltage	V _R	20	V
Maximum Optical Power Input	P _{max}	30	mW
Forward Current	I _F	10	mA
Operating Case Temperature Range	T _C	-40 to +85	°C
Storage Temperature Range	T _{STG}	-40 to +85	°C

Table 1. Absolute Maximum Ratings

Electro-Optical Characteristics

Inspection sheet shall be appended to products when they are delivered. Test report shall be submitted in papers and in electronic media. It shall contain the major in following items.

Optical Characteristics(Tc=25°C)

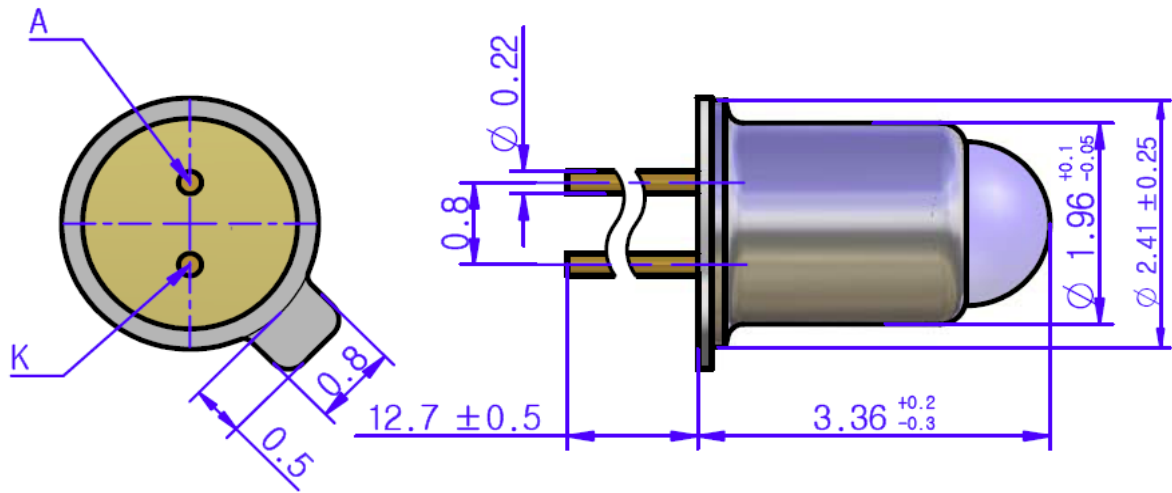
Parameter	Symbol	Min	Typ	Max	Unit	Test Conditions
Active Diameter	D		274		μm	
Bandwidth	BW		600		MHz	RL=50W,Pin=10dB
Responsivity	@1310nm	0.85			A/W	V _R =5V
	@1550nm	0.90			A/W	
Dark Current	I _D			1	nA	V _R =5V, 23°C
				10	nA	V _R =5V, 70°C
Chip Capacitance	C chip			10	pF	f=1MHz, 50Ω
Optical Spectrum Response Range		1000		1650	nm	
Operating Voltage	V		-5		V	
Response Uniformity			0.15	0.22	dB	λ =1520~1610nm Ta=-10 to +70°C
Polrization Dependent Responsivity	PDR			0.1	dB	
Linearity	L	-5		5	%	-45dBm~5dBm

Table 2. Optical Characteristics

Mechanical Dimension & Pin Layout

Mechanical Dimension

(Unit: mm)



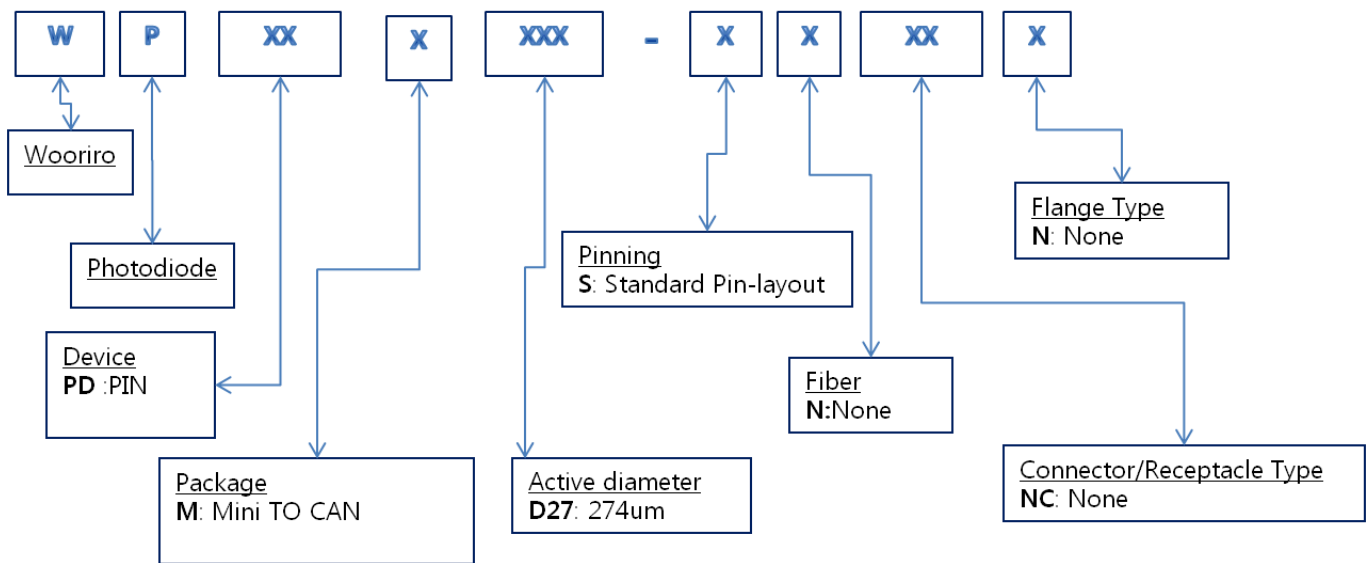
Pin Configuration: K- Cathode, A- Anode

Other Requirements

Precautions for use

This device is susceptible to damage as a result of ESD(electrostatic discharge). Use of ground straps, anti static mats, and other standard ESD protective equipment is recommended when handling or testing an InGaAs PIN/APD or any other junction photodiode.

Ordering Information



Ex) **WPPDMD27SNNCN** : MINI TO CAN with 274um active Standard PIN